

Reliable special designed instrument



| | | | |
|--|-------------------------------------|--|------------------------------|
| | Engine coolant temperature | | Charging indication |
| | Fuel level | | Block of air cleaner |
| | Temperature of torque converter oil | | Hand brake |
| | Pressure of torque converter oil | | Seat switch |
| | LPG pressure | | Neutral indicator |
| | Left turning | | Safety belt switch |
| | Right turning | | Engine alarm |
| | Alarm of low fuel | | Alarm of engine oil pressure |
| | Hourmeter | | |

| Standard configuration | | |
|-----------------------------|---------------------------|-------------------------------------|
| Horn | Front combo lights | Speed-limiting valve |
| Three-spool control valve | Transmission oil filter | Lifting and tilting operation lever |
| 3-stage full free lift mast | Rear combo lights | Tow pin |
| Power steering | Back-up alarm | Overhead guard |
| Semi-suspension seat | Overhead guard rain cover | Combined display |
| Load backrest | Standard forks | LPG Low Fuel Indicator |
| Rear view mirror | Integrated electric box | |

| Optional | | |
|---------------------------|--|-----------------------------------|
| Max. speed control system | Lifting OPS control system | LED headlights |
| LED Rotating Light | Torque converter oil temperature meter | No hand brake alarm |
| Dual Air Filter | Optional attachments | Rear grab handle with horn button |
| Hydraulic Fork Positioner | Rotating seat for LPG | |
| Rear work light | Swing Out/Drop-Down LPG Bracket | |



HELI AMERICA INC
 ADD: 4025 Welcome All Road, Suite 150 Atlanta, GA30349, U.S.A.
 E-MAIL: heli@heliforkliftamerica.com
 TEL: 404-242-3288

Catalog No.310201 F0401 Print

CP(Q)YD15-20C 3000-4000lbs (1.5-2.0t) H3C IC Cushion Tire Forklift



www.heliforkliftamerica.com



Heli H3C Series Features Improved performance Superior quality

Ergonomics

- > Vibration isolators separate the operator compartment from the main frame and the engine/transmission which absorb the truck's vibration for increased operator comfort
- > Engine performance and repositioned hydraulic pump offer quieter and smoother operation and less noise
- > Improved hydraulic control functions also reduce noise and increase performance

Operator Comfort - Visibility

- > Operator compartment has been enhanced by creating more foot and leg room with plenty of head room under the overhead guard
- > Visibility has been improved with narrower mast channels and more open overhead guard
- > Higher contrast LED display makes it easier to see in all lighting conditions
- > Comfortable suspension seat is standard with full adjustment for different operators
- > Low, wide step and grab handle make for easy entry to operator's compartment
- > Controls and park brake are within easy reach to reduce operator strain



Increased Productivity

- > Smaller turning radius and hydraulic power steering makes for tighter turns and easier steering operation
- > Reliable powershift transmission relieves operator from constantly shifting transmission
- > H3C series hydraulic performance has been enhanced for maximum productivity
- > Ergonomically designed operator's compartment enhances operator productivity, as well as providing safety and comfort

Improved Performance

- > All aluminum radiator increases air flow and dissipates heat more efficiently
- > Smaller steering wheel with fewer turns lock-to-lock for quicker turns 35% faster lifting speeds over previous generations
- > Lifting cylinders are damped to reduce noise and provide smoother operation
- > Heavy duty powertrain offers exceptional performance in all applications

Serviceability

- > Hood opens to an 80 degree angle and floor board is removable for easier access to all important chassis components
- > Electrical system, wiring, and hydraulic hoses are convenient and logically laid out with access from above and below
- > All grease points are accessible, including cast steel axle
- > Lubrication chart is located on front of operator compartment to highlight essential lubrication requirements

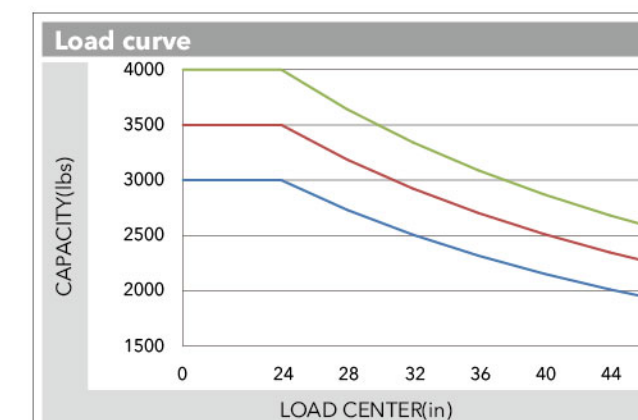
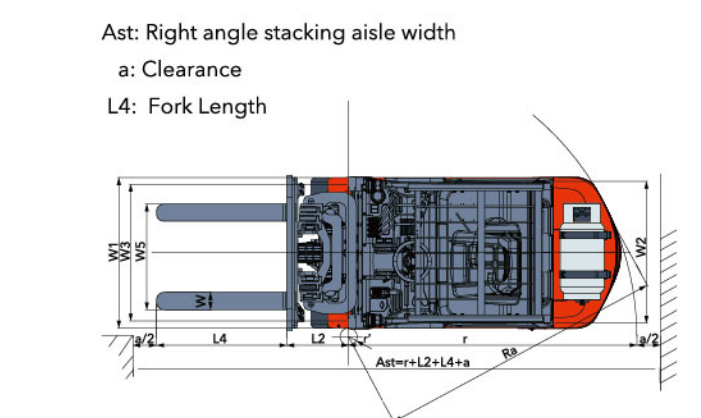
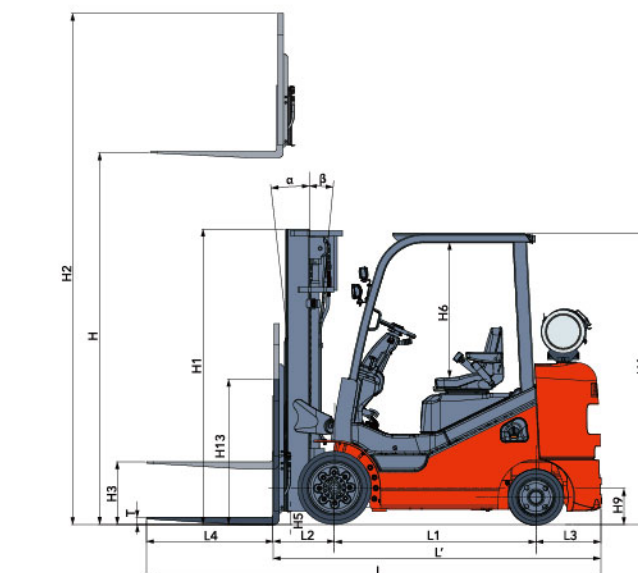
Safety

- > All Heli forklifts for North America meet ANSI B56.1 Safety Standard for Powered Industrial Trucks as well as meeting requirements for CE approval
- > All Heli forklifts come standard with Operator Presence System
- > Optional rear grab handle and horn button allows operator to safely drive in reverse
- > Strobes, Beacons or Blue Lights and Alarms are all available

CP(Q)YD15-20C



| Manufacturers Data and Design Characteristics | | | | | | | | | | |
|---|--|--------------|--------|--|--------------------------------------|--|--------------------------------------|--|--------------------------------------|--|
| Character | | | | | | | | | | |
| 1.01 | Manufacturer | | | | | HELI | | | | |
| 1.02 | Model | | | CP (Q)YD15C-KU1H | | CP (Q)YD18C-KU1H | | CP (Q)YD20CS-KU1H | | |
| 1.04 | Rated capacity | lbs | Kg | 3000 | 1350 | 3500 | 1600 | 4000 | 1815 | |
| 1.05 | Load center | in | mm | 24 | 610 | 24 | 610 | 24 | 610 | |
| 1.06 | Operation mode | type | type | | | Seat type | | | | |
| Size | | | | | | | | | | |
| 2.01 | Max.lifting height | H | in | mm | 142 | 3600 | 142 | 3600 | 3600 | |
| 2.02 | Mast overall height(fork to the ground and mast be vertical) | H1 | in | mm | 83 | 2110 | 83 | 2110 | 2110 | |
| 2.03 | Max.fork lifting height(with backrest) | H2 | in | mm | 183.5 | 4660 | 183.5 | 4660 | 4660 | |
| 2.04 | Free lift height | H3 | in | mm | 6 | 155 | 6 | 155 | 155 | |
| 2.05 | Overall height(overhead guard) | H4 | in | mm | 83 | 2105 | 83 | 2105 | 2105 | |
| 2.06 | Min.groung clearance (mast/central of body) | H5 | in | mm | 2.4/3.3 | 60/83 | 2.4/3.3 | 60/83 | 2.4/3.3 | |
| 2.07 | Distance from the surface of the seat to the overhaed guard | H6 | in | mm | 38.3 | 974 | 38.3 | 974 | 974 | |
| 2.08 | Traction pin height | H9 | in | mm | 4.0 | 100 | 4.0 | 100 | 100 | |
| 2.09 | Backrest height(calculated from the surface of the fork) | H13 | in | mm | 37.8 | 960 | 37.8 | 960 | 960 | |
| 2.10 | Overall length(with fork/without fork) | (L/L') | in | mm | 119/82.5 | 3015/2095 | 120.3/84 | 3055/2135 | 122/85.5 | |
| 2.11 | Wheel base | L1 | in | mm | 50.4 | 1280 | 50.4 | 1280 | 1280 | |
| 2.12 | Overhang (front/rear) | L2 | in | mm | 16.7/14.9 | 425/380 | 16.7/16.5 | 425/420 | 16.7/18.1 | |
| 2.13 | Overall width | W1 | in | mm | 37.6 | 955 | 37.6 | 955 | 955 | |
| 2.14 | Tread (front tread/rear tread) | (W3/W2) | in | mm | 31.5/32.1 | 800/815 | 31.5/32.1 | 800/815 | 31.5/32.1 | |
| 2.15 | Fork adjustable range(the external of the fork)(Max./Min.) | W5 | in | mm | 35/7.9 | 890/200 | 35/7.9 | 890/200 | 35/7.9 | |
| 2.16 | Min.turning radius(exterior) | r | in | mm | 69.3 | 1740 | 70.9 | 1800 | 72.2 | |
| 2.17 | Min.turning radius(interior) | r' | in | mm | 1.9 | 50 | 1.9 | 50 | 1.9 | |
| 2.18 | Min.right angle stacking aisle width | Ra | in | mm | 121.5 | 3085 | 123.8 | 3145 | 124.8 | |
| 2.19 | Mast tilting angle | α/β | | | | 6°/5° | | | | |
| 2.20 | Fork Size | L4×W×T | in | mm | 36.2×3.9×1.4 | 920×100×35 | 36.2×3.9×1.4 | 920×100×35 | 36.2×4.8×1.6 | |
| Performance | | | | | | | | | | |
| 3.01 | Max.traveling speed (loaded/unloaded) | mph | Km/h | 9.94/9.94 | 16/16 | 9.94/9.94 | 16/16 | 9.94/9.94 | 16/16 | |
| 3.02 | Lifting Speed (loaded/unloaded) | ft/s | mm/s | 21.7/22.8 | 550/580 | 21.7/22.8 | 550/580 | 21.7/22.8 | 550/580 | |
| 3.03 | Lowng Speed (loaded/unloaded) | ft/s | mm/s | 17.7/19.7 | 450/500 | 17.7/19.7 | 450/500 | 17.7/19.7 | 450/500 | |
| 3.04 | Max.drawbar pull (loaded/unloaded) | lbf | KN | 4496.2/2248.1 | 20/10 | 4496.2/2135.7 | 20/9.5 | 4496.2/2135.7 | 20/9.5 | |
| 3.05 | Max.gradeability (loaded/Inloaded) | % | % | | 35/20 | | 32/20 | | 30/20 | |
| Weight | | | | | | | | | | |
| 4.01 | Total weight | lbs | Kg | 6657.9 | 3020 | 7165 | 3250 | 7605.9 | 3450 | |
| 4.02 | Weight distribution loaded (front/rear) | lbs | Kg | 8465.8/1168.4 | 3840/530 | 9343.2/1349.2 | 4238/612 | 10031/1543.2 | 4550/700 | |
| 4.03 | Weight distribution unloaded (front/rear) | lbs | Kg | 3097.5/3560.5 | 1405/1615 | 2976.2/4188.8 | 1350/1900 | 2870.4/4735.5 | 1302/2148 | |
| Wheel and tyre | | | | | | | | | | |
| 5.01 | Wheel number x = drive wheel (front/rear) | | | | | 2/2 | | | | |
| 5.02 | Tyre type(front/rear) | | | | | cushion tyre/cushion tyre | | | | |
| 5.03 | Tyre size(front) | | | | | 18×6×12 | | | | |
| 5.04 | Tyre size(rear) | | | | | 14×5×10 | | | | |
| 5.05 | Service brake | | | | | Hydraulic-Foot Pedal | | | | |
| 5.06 | Parking brake | | | | | Mechanical-Hand Lever | | | | |
| Engine Model and Specification | | | | | | | | | | |
| 6.01 | Model | | | | CPYD15C-KU1H | | CPYD18C-KU1H | | CPYD20CS-KU1H | |
| 6.02 | Battery(Voltage/Capacity) | V/Ah | | | 12/60 | | 12/60 | | 12/60 | |
| 6.03 | Engine mode | | | | Kubota WG2503 | | | | | |
| 6.04 | Engine rated power | HP/rpm | KW/rpm | LPG: 58.3/2600 Gasoline:57.4/2600 | LPG: 43.5/2600 Gasoline:42.8/2600 | LPG: 58.3/2600 Gasoline:57.4/2600 | LPG: 43.5/2600 Gasoline:42.8/2600 | LPG: 58.3/2600 Gasoline:57.4/2600 | LPG: 43.5/2600 Gasoline:42.8/2600 | |
| 6.05 | Engine rated torque | (lbf.ft)/rpm | Nm/rpm | LPG: 128.1/1400 Gasoline:120.4/1800 | LPG: 173.7/1400 Gasoline:163/1800 | LPG: 128.1/1400 Gasoline:120.4/1800 | LPG: 173.7/1400 Gasoline:163/1800 | LPG: 128.1/1400 Gasoline:120.4/1800 | LPG: 173.7/1400 Gasoline:163/1800 | |
| 6.06 | Engine cylinder number-bore x stroke | | | 4 | | | | | | |
| 6.07 | Piston displacement | L | | 2.491 | | | | | | |
| 6.08 | Engine fuel tank capacity | L | | 26 | | | | | | |
| 6.09 | Tranmission box shifting gears(front/rear type) | | | 1-1Power Shift T/M | | | | | | |



Note: Capacities shown are reference only. They are computed with mast in vertical position based on 48 inch cube load configuration with center of gravity at true center of cube and standard forks. Longer forks and unusually wide loads can reduce capacity. Consult dealer for any questions about capacities.

| WIDE VIEW FULL FREE 3-STAGE MAST | | | | | | | | | | | | | |
|----------------------------------|--------------------|------------------------------|-------------|-------------|----------------|-------------|-------------|--------------------------|-------------|-----------------------------|------------------------|-------------|-------------|
| Mast type | Max lifting height | Capacity (load center 500mm) | | | Overall height | | | Freelift (with backrest) | | Tilt angle (front/rear) (°) | Service Weight(unload) | | |
| | | CP(Q)YD 15C | CP(Q)YD 18C | CP(Q)YD 20C | CP(Q)YD 15C | CP(Q)YD 18C | CP(Q)YD 20C | CP(Q)YD 15-18C | CP(Q)YD 20C | | CP(Q)YD 15C | CP(Q)YD 18C | CP(Q)YD 20C |
| ZSM360 | 3600/142 | 1350/2976 | 1600/3527 | 1800/3968 | 1750/69 | 1750/69 | 1750/69 | 1750/69 | 1750/69 | 6/5 | 545/1202 | 545/1202 | 570/1257 |
| ZSM400 | 4000/157 | 1350/2976 | 1600/3527 | 1800/3968 | 1885/74 | 1885/74 | 1885/74 | 875/34 | 880/35 | 6/5 | 569/1254 | 569/1254 | 597/1316 |
| ZSM435 | 4350/171 | 1350/2976 | 1600/3527 | 1800/3968 | 2000/79 | 2000/79 | 2000/79 | 990/39 | 995/39 | 6/5 | 593/1307 | 593/1307 | 618/1362 |
| ZSM450 | 4500/177 | 1350/2976 | 1600/3527 | 1800/3968 | 2050/81 | 2050/81 | 2050/81 | 1040/41 | 1045/41 | 6/5 | 604/1332 | 604/1332 | 629/1387 |
| ZSM470 | 4700/185 | 1325/2921 | 1500/3307 | 1700/3748 | 2120/83 | 2120/83 | 2120/83 | 1110/44 | 1115/44 | 6/5 | 620/1367 | 620/1367 | 645/1422 |
| ZSM480 | 4800/189 | 1300/2866 | 1400/3086 | 1650/3638 | 2150/85 | 2150/85 | 2150/85 | 1140/45 | 1145/45 | 6/5 | 628/1385 | 628/1385 | 653/1440 |
| ZSM500 | 5000/197 | 1250/2756 | 1350/2976 | 1500/3307 | 2250/89 | 2250/89 | 2250/89 | 1240/49 | 1245/49 | 6/5 | 649/1431 | 649/1431 | 674/1486 |
| ZSM540 | 5400/213 | 1200/2646 | 1200/2646 | 1100/2425 | 2375/94 | 2375/94 | 2375/94 | 1365/54 | 1370/54 | 3/5 | 674/1486 | 674/1486 | 699/1541 |
| ZSM600 | 6000/236 | 700/1543 | 700/1543 | 900/1984 | 2600/102 | 2600/102 | 2600/102 | 1590/63 | 1595/63 | 3/5 | 746/1645 | 746/1645 | 771/1700 |

NOTE: 1.5-1.8T: Free lift height (without backrest)+465/17.9mm/in;
2T: Free lift height (without backrest)+465/17.9mm/in;