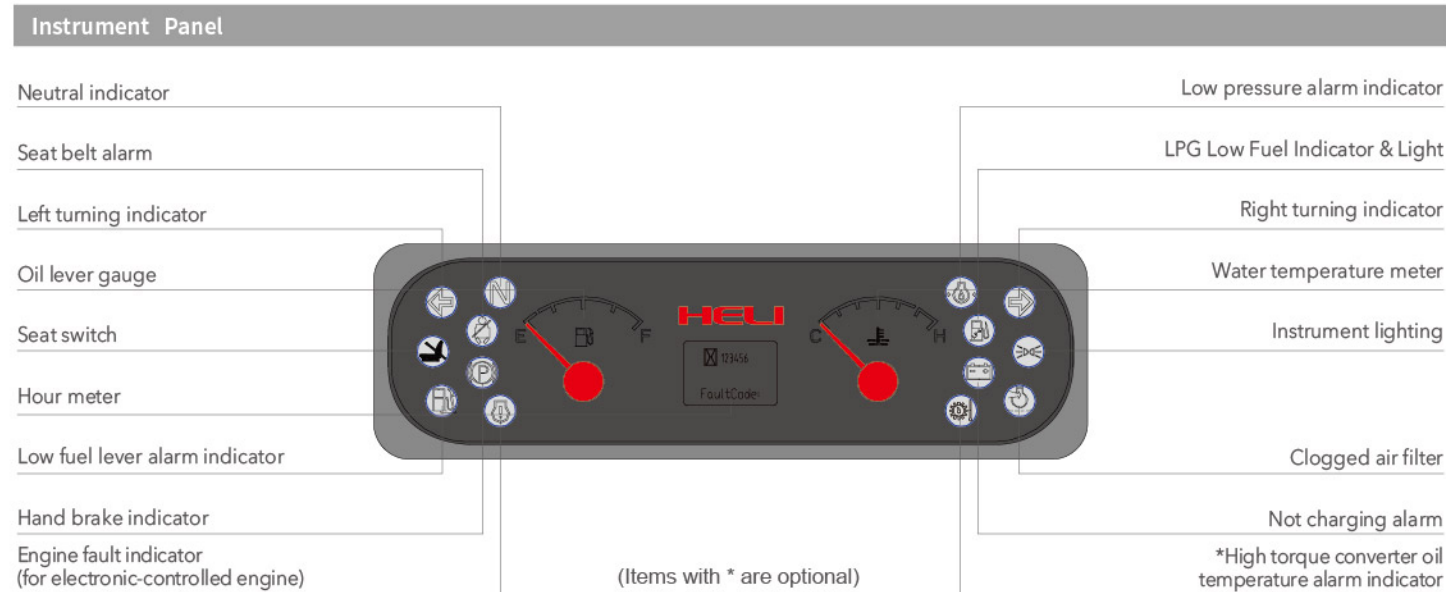


HELI



■ Reliable dashboard shows the truck's working condition, faults and other important information for convenient operator control

Standard configuration	Optional
Horn	LED Rotating Light
Two-spool control valve	Dual Air Filter
Basic type mast	Hydraulic Fork Positioner
Power steering	Rear work light
Full-suspension seat	Lifting OPS control system
Load backrest	Torque converter oil temperature meter
Rear view mirror	Optional attachments
Rear grab handle with horn button	Four-spool control valve
Wet brake	No hand brake alarm
Front combo lights (LED)	Rotating seat for LPG
Transmission oil filter	Three-spool control valve
Rear combo lights (LED)	
Back-up alarm	
Overhead guard rain cover	
Standard forks	
Integrated electric box	
Swing Out / Drop-Down LPG	
Bracket	
SAE hydraulic	
Speed-limiting valve	
Lifting and tilting operation lever	
Tow pin	
Overhead guard	
Combined display	
LPG Low Fuel Indicator	
Traveling OPS control system	
LED headlights	

HELI AMERICA INC

ADD: 4025 Welcome All Road, Suite 150 Atlanta, GA30349, U.S.A.
 E-MAIL: heli@heliforkliftamerica.com
 TEL: 404-242-3288

8000-10000 lbs [4-5t]
H3C IC Cushion Tire Forklift
CPYD40-50C



Catalog No.151101 Forklift Print

www.heliforkliftamerica.com

HELI

H3C SERIES CPYD 40-50C



Heli H3C Series Features
Improved performance Superior quality

Ergonomics

- Vibration isolators separate the operator compartment from the main frame and the engine/transmission which absorb the truck's vibration for increased operator comfort.
- Engine performance and repositioned hydraulic pump offer quieter and smoother operation and less noise.
- Improved hydraulic control functions also reduce noise and increase performance.

Operator Comfort - Visibility

- Operator compartment has been enhanced by creating more foot and leg room with plenty of head room under the overhead guard.
- Visibility has been improved with narrower mast channels and more open overhead guard.
- Higher contrast LED display makes it easier to see in all lighting conditions.
- Comfortable suspension seat is standard with full adjustment for different operators.
- Low, wide step and grab handle make for easy entry to operator's compartment.
- Controls and park brake are within easy reach to reduce operator strain.
- Dual suspension structure of flexible connection between transmission box and drive axle and suspension connection between overhead guard and truck frame effectively reduce truck vibration.



Increased Productivity

- Smaller turning radius and hydraulic power steering makes for tighter turns and easier steering operation.
- Reliable powershift transmission relieves operator from constantly shifting transmission.
- H3C series hydraulic performance has been enhanced for maximum productivity.
- Ergonomically designed operator's compartment enhances operator productivity, as well as providing safety and comfort.

Improved Performance

- All aluminum radiator increases air flow and dissipates heat more efficiently.
- Smaller steering wheel with fewer turns lock-to-lock for quicker turns.
- 35% faster lifting speeds over previous generations Lifting cylinders are damped to reduce noise and provide smoother operation.
- Heavy duty powertrain offers exceptional performance in all applications.

Serviceability

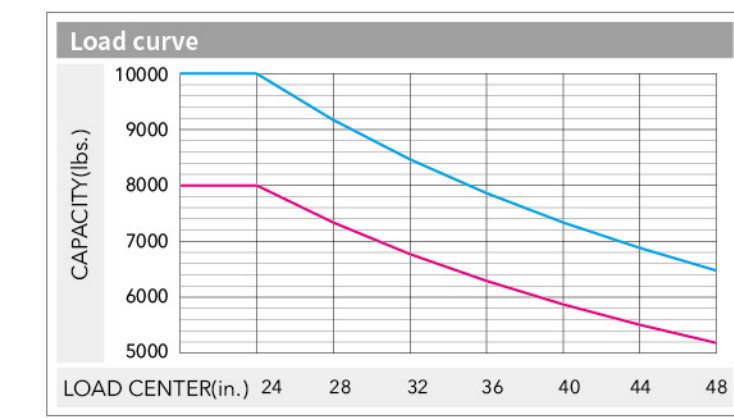
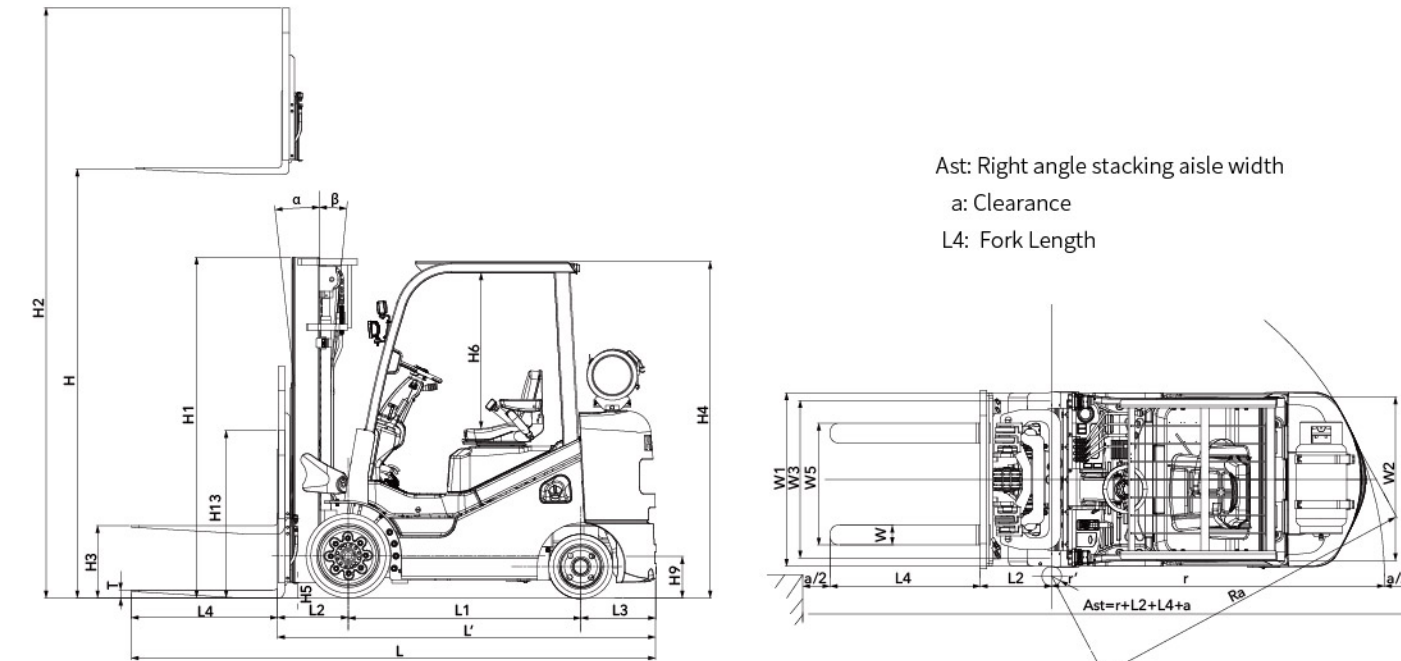
- Hood opens to an 80 degree angle and floor board is removable for easier access to all important chassis components.
- Electrical system, wiring, and hydraulic hoses are convenient and logically laid out with access from above and below.
- All grease points are accessible, including cast steel axle.
- Lubrication chart is located on front of operator compartment to highlight essential lubrication requirements.

Safety

- All Heli forklifts for North America meet ANSI B56.1 Safety Standard for Powered Industrial Trucks as well as meeting requirements for CE approval.
- All Heli forklifts come standard with Operator Presence System.
- Rear grab handle and horn button allows operator to safely drive in reverse.
- Strobes, Beacons or Blue Lights and Alarms are all available.

Manufacturers Data and Design Characteristics														
Character														
1.01	Manufacturer					HELI								
1.02	Model				CPYD40C						CPYD50C			
1.03	Rated capacity	lb	kg		8000		3500		10000			4500		
1.04	Load center	in	mm		24		610		24			610		
1.05	Operation mode	type	type		Seat-type									
Size														
2.01	Max.Lifting height	H	in	mm		130		3300		130		3300		
2.02	Mast overall height(fork to the ground and mast be vertical)	H1	in	mm		93.3		2370		93.3		2370		
2.03	Max.Fork lifting height(with backrest)	H2	in	mm		178.5		4533		178.5		4533		
2.04	Free lift height	H3	in	mm		5.9		150		5.9		150		
2.05	Overall height(overhead guard)	H4	in	mm		85.8		2180		85.8		2180		
2.06	Min.Ground clearance(at the mast)	H5	in	mm		4.3		110		4.3		110		
2.07	Distance from the surface of the seat to the overhead guard	H6	in	mm		40.9		1040		40.9		1040		
2.08	Traction pin height	H9	in	mm		11.2		285		11.2		285		
2.09	Backrest height(calculated from the surface of the fork)	H13	in	mm		47.6		1210		47.6		1210		
2.10	Overall length(with fork/without fork)	(L/L')	in	mm		153/105		3885/2665		157/109		3985/2765		
2.11	Wheel base	L1	in	mm		64.9		1650		64.9		1650		
2.12	Front overhang	L2	in	mm		20		515		20		515		
2.13	Rear overhang	L3	in	mm		19.3		490		23.6		600		
2.14	Overall width	W1	in	mm		50		1270		55.9		1420		
2.15	Tread (front tread/rear tread)	(W3/W2)	in	mm		40.9/41.7		1040/1060		43.9/41.7		1115/1060		
2.16	Fork adjustable range(the external of the fork)(max./min.)	W5	in	mm		47/12		1195/300		47/12		1195/300		
2.17	min.Turning radius(exterior)	r	in	mm		91		2300		95		2415		
2.18	min.Turning radius(interior)	r'	in	mm		2.5		65		2.5		65		
2.19	Min.right angle aisle width	Ra	in	mm		92		2340		95		2420		
2.20	Mast tilting angle	α/β								6°/5°				
2.21	Fork size	L4×W×T	in	mm		48×5.9×1.97		1220×150×50		48×5.9×1.97		1220×150×50		
Performance														
3.01	Max.Traveling speed (loaded/unloaded)	mph	Km/h		10.5/11.2		17/18		10.5/11.2			17/18		
3.02	Lifting speed (loaded/unloaded)	fpm	mm/s		102/108		520/550		98.4/102			500/520		
3.03	Lowing speed (loaded/unloaded)	fpm	mm/s		104.3/94.4		530/480		104.3/94.4			530/480		
3.04	max.Drawbar pull (loaded/unloaded)	kN	kN		48/20		48/20		48/18			48/18		
3.05	Max.Gradeability (loaded/unloaded)	%	%		37/20		37/20		34/20			34/20		
Weight														
4.01	Total weight	lb	kg		13690		6210		15498			7030		
4.02	Weight distribution loaded (front/rear)	lb	kg		18820/2590		8537/1175		22000/3417			9980/1550		
4.03	Weight distribution unloaded (front/rear)	lb	kg		5864/7826		2660/3550		5352/10145			2428/4602		
Wheel and tyre														
5.01	Wheel number x = drive wheel (front/rear)				2X/2									
5.02	Tyre type(front/rear)	type	type		Cushion tyre									
5.03	Tyre size(front/rear)	in	in		22x9-16/18x7-12.125				22x12-16/18x7-12.125					
5.04	Service brake	type	type		Hydraulic-Foot Pedal									
5.05	Parking brake	type	type		Mechanical-Hand Lever									

Engine Model and Specification														
Model	CPYD40C				CPYD50C									
Engine type	LPG													
Battery(Voltage/Capacity)	V/Ah	V/Ah	12/80											
Engine mode	PSI 4.3													
Engine rated power	HP/rpm	KW/rpm	102/2300				76/2300							
Engine rated torque	(ft*lb)/rpm	Nm/rpm	244/1400				332/1400							
Engine cylinder number-bore x stroke	4-101.6×88.39													
Piston displacement	cu in	L	262.4				4.3							
Engine Emissions	Certified													
Transmission box shifting gears(front/rear type)	type	type	1-1Power Shift T/M											



Note: The vertical axis stands for load capacity and the horizontal axis stands for load center which is calculated from the front of the fork. The base point of the standard load refers to the center position of the cube with 39.37in length of side. When mast is tilted forward, nonstandard fork usage or load with over wide goods, load capacity will be reduced. Different load capacity in different load center can be known in time through load chart.

WIDE VIEW MAST															
Mast Model	Max lifting height		Capacity (load center 610mm)				Overall Height		Freelift (With Backrest)		Tilt Range	Service Weight(unload)			
			CPYD40C		CPYD50C		CPYD40/50C		CPYD40/50C			CPYD40C		CPYD50C	
	in	mm	lb	kg	lb	kg	in	mm	in	mm		lb	kg	lb	kg
M250	99	2500	8000	3500	10000	4500	74.4	1890	5.9	150	6/5	13757	6240	15653	7100
M300	118	3000	8000	3500	10000	4500	84.3	2140	5.9	150	6/5	13867	6290	15763	7150
M330	130	3300	8000	3500	10000	4500	90.2	2290	5.9	150	6/5	13977	6340	15873	7200
M350	138	3500	8000	3500	10000	4500	94.1	2390	5.9	150	6/5	14021	6360	15917	7220
M370	146	3700	8000	3500	10000	4500	98.0	2490	5.9	150	6/5	14088	6390	15984	7250
M400	157.5	4000	8000	3500	10000	4500	105.9	2690	5.9	150	6/5	14330	6500	16226	7360
M425	167	4250	8000	3500	9500	4300	110.8	2815	5.9	150	6/5	14396	6530	16292	7390
M450	177	4500	7800	3530	9200	4150	115.7	2940	5.9	150	6/5	14462	6560	16358	7420
M475	187	4750	7600	3450	8800	4000	120.7	3065	5.9	150	6/5	14528	6590	16424	7450
M500	195	5000	7400	3350	8000	3600	125.6	3190	5.9	150	3/5	14595	6620	16491	7480
M550	216.5	5500	7000	3150	7100	3200	137.4	3490	5.9	150	3/5	14914	6765	16810	7625
M600	236	6000	6400	2900	6600	3000	147.2	3740	5.9	150	3/5	15036	6820	16932	7680

Note:Free lift height (without backrest)+275mm.

WIDE VIEW FULL FREE 3-STAGE MAST															
Mast Model	Max lifting height		Capacity (load center 610mm)				Overall Height		Freelift (With Backrest)		Tilt Range	Service Weight(unload)			
			CPYD40C		CPYD50C		CPYD40/50C		CPYD40/50C			CPYD40C		CPYD50C	
	in	mm	lb	kg	lb	kg	in	mm	in	mm		lb	kg	lb	kg
ZSM360	141.5	3600	8000	3500	10000	4500	77.6	1970	29.9	760	6/5	14088	6390	15984	7250
ZSM400	157.5	4000	8000	3500	10000	4500	83.1	2110	35.4	900	6/5	14198	6440	16094	7300
ZSM435	171.5	4350	8000	3500	10000	4500	87.4	2220	39.8	1010	6/5	14264	6470	16160	7330
ZSM450	177	4500	8000	3500	10000	4500	89.4	2270	41.7	1060	6/5	14308	6490	16204	7350
ZSM470	185	4700	7600	3450	9300	4200	91.9	2335	44.3	1125	6/5	14352	6510	16248	7370
ZSM500	197	5000	7400	3350	8000	3500	97.2	2470	49.6	1260	3/5	14462	6560	16358	7420
ZSM540	212.5	5400	7300	3300	7600	3450	102.6	2605	54.9	1395	3/5	14749	6690	16645	7550
ZSM600	236	6000	6500	2950	6700	3040	111.8	2840	64.2	1630	3/5	14947	6780	16843	7640

Note:Free lift height (without backrest)+275mm.