

HELI

CP(Q)YD20-32C 4000-6500lbs (2.0-3.2t) H3C IC Cushion Tire Forklift



CP(Q)YD20-32C



Heli H3C Series Features

Improved performance
Superior quality

Ergonomics

- > Vibration isolators separate the operator compartment from the main frame and the engine/transmission which absorb the truck's vibration for increased operator comfort
- > Engine performance and repositioned hydraulic pump offer quieter and smoother operation and less noise
- > Improved hydraulic control functions also reduce noise and increase performance

Operator Comfort - Visibility

- > Operator compartment has been enhanced by creating more foot and leg room with plenty of head room under the overhead guard
- > Visibility has been improved with narrower mast channels and more open overhead guard
- > Higher contrast LED display makes it easier to see in all lighting conditions
- > Comfortable suspension seat is standard with full adjustment for different operators
- > Low, wide step and grab handle make for easy entry to operator's compartment
- > Controls and park brake are within easy reach to reduce operator strain





Increased Productivity

- > Smaller turning radius and hydraulic power steering makes for tighter turns and easier steering operation
- > Reliable powershift transmission relieves operator from constantly shifting transmission
- > H3C series hydraulic performance has been enhanced for maximum productivity
- > Ergonomically designed operator's compartment enhances operator productivity, as well as providing safety and comfort

Improved Performance

- > All aluminum radiator increases air flow and dissipates heat more efficiently
- > Smaller steering wheel with fewer turns lock-to-lock for quicker turns 35% faster lifting speeds over previous generations
- > Lifting cylinders are damped to reduce noise and provide smoother operation
- > Heavy duty powertrain offers exceptional performance in all applications

Serviceability

- > Hood opens to an 80 degree angle and floor board is removable for easier access to all important chassis components
- > Electrical system, wiring, and hydraulic hoses are convenient and logically laid out with access from above and below
- > All grease points are accessible, including cast steel axle
- > Lubrication chart is located on front of operator compartment to highlight essential lubrication requirements

Safety

- > All Heli forklifts for North America meet ANSI B56.1 Safety Standard for Powered Industrial Trucks as well as meeting requirements for CE approval
- > All Heli forklifts come standard with Operator Presence System
- > Optional rear grab handle and horn button allows operator to safely drive in reverse
- > Strobes, Beacons or Blue Lights and Alarms are all available

CP(Q)YD20-32C

Manufacturers Data and Design Characteristics

Character							
1.01	Manufacturer						
1.02	Model				CP(Q)YD20C		
1.03	Power unit						
1.04	Rated capacity		lb	kg	4000	1815	5
1.05	Load center		in	mm	24	610	
1.06	Operation mode		type	type	Seated		
Size							
2.01	Max.lifting height	H	in	mm	185	4700	1
2.02	Mast overall height(fork to the ground and mast be vertical)	H1	in	mm	85	2160	
2.03	Max.fork lifting height(with backrest)	H2	in	mm	224	5700	2
2.04	Free lift height	H3	in	mm	44	1120	
2.05	Overall height(overhead guard)	H4	in	mm	83.0	2120	8
2.06	Min.groung clearance(at the mast)	H5	in	mm	3.5	90	3
2.07	Distance from the surface of the seat to the overahead guard	H6	in	mm	41.0	1030	4
2.08	Traction pin height	H9	in	mm	10.0	250	1
2.09	Backrest height(calculated from the surface of the fork)	H13	in	mm	40.0	1009	4
2.10	Overall length(with fork/without fork)	(L/L')	in	mm	128.7/92.5	3270/2350	136
2.11	Wheel base	L1	in	mm	58.0	1465	5
2.12	Front overhang	L2	in	mm	17.5	445	1
2.13	Rear overhang	L3	in	mm	16.7	425	1
2.14	Overall width	W1	in	mm	42.0	1070	4
2.15	Tread (front tread/rear tread)	(W3/W2)	in	mm	35.1/36.2	892/920	35
2.16	Fork adjustable range(the external of the fork)(Max./Min.)	W5	in	mm	40.3/7.85	1024/200	40.3
2.17	Min.turning radius(exterior)	r	in	mm	76	1930	7
2.18	Min.turning radius(interior)	r'	in	mm	2.56	65	2
2.19	Min.right angle stacking aisle width	Ra	in	mm	92.5	2350	9
2.20	Mast tilting angle	α / β			6°/5°	6°/5°	
2.21	Fork size	L4×W×T	in	mm	36×4.8×1.57	920×122×40	42×4
Performance							
3.01	Max.traveling speed (Loaded/Unloaded)		mph	Km/h	10.8/10.8	17/17	10.8
3.02	Lifting Speed (Loaded/Unloaded)		fpm	mm/s	103/118	525/600	103
3.03	Lowing Speed (Loaded/Unloaded)		fpm	mm/s	88/98	450/500	88
3.04	Max.drawbar pull (Loaded/Unloaded)		KN	KN	20/12		
3.05	Max.Gradeability (Loaded/Unloaded)		%	%	35/20		
Weight							
4.01	Total weight		lb	kg	8466	3840	9
4.02	Weight distribution loaded (front/rear)		lb	kg	10965/1500	4975/680	1278
4.03	Weight distribution unloaded (front/rear)		lb	kg	4080/4286	1850/1990	401
Wheel and tire							
5.01	Wheel number x = drive wheel(front/rear)				2X/2		
5.02	Tire type(front/rear)		type	type	Cushion tire		
5.03	Tire size(front/rear)		in	in	21×7-15/16×6-10.5		
5.04	Service brake		type	type			
5.05	Parking brake		type	type			

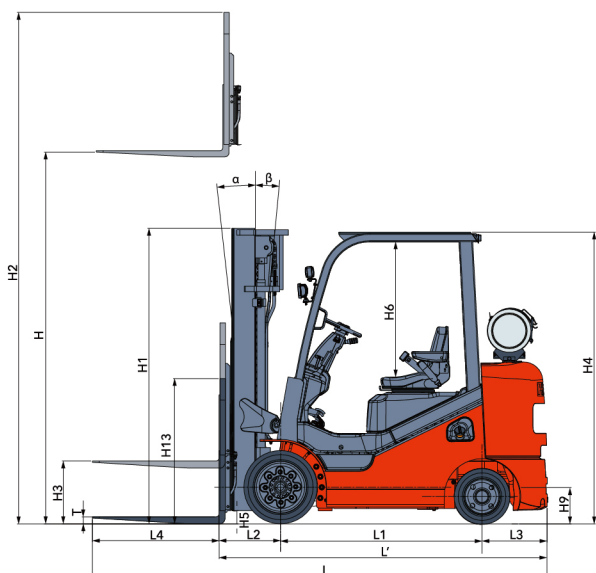
Engine Model and Specification

Engine type				
Battery(Voltage/Capacity)	V/Ah	V/Kwh	12/60	
Engine mode				
Engine rated power	HP/rpm	KW/rpm	Gas 57.4/2600; LPG 57.9/2500	
Engine rated torque	(ft*lb)/rpm	Nm/rpm	Gas 120.5/1400; LPG 128.2/1400	
Engine cylinder number-bore x stroke			4-3.46×4.031	
Piston displacement	cu in	L	152	
Emission standards				
Engine fuel tank capacity	gal	L	13	
Transmission box shifting gears(front/rear type)	type	type		



HELI

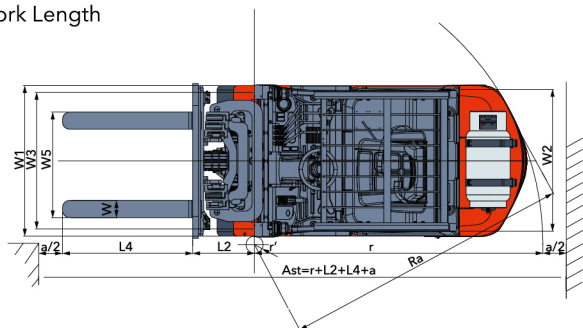
CP(Q)YD25C		CP(Q)YD30C		CP(Q)YD32C	
LPG/DualFuel					
000	2267	6000	2720	6500	2950
24	610	24	610	24	610
Seated		Seated		Seated	
85	4700	185	4700	185	4700
85	2160	88	2230	88	2230
224	5700	232	5900	232	5900
44	1120	39	990	39	990
3.0	2120	83.0	2120	83.0	2120
3.5	90	3.5	90	3.5	90
1.0	1030	41.0	1030	41.0	1030
0.0	250	10.0	250	10.0	250
0.0	1009	48.0	1227	48.0	1227
8/94.5	3475/2405	140/97.8	3555/2485	141/99	3585/2515
8.0	1465	58.0	1465	58.0	1465
7.5	445	18.1	460	18.1	460
9.1	485	21.7	550	22.6	575
2.0	1070	44.0	1120	44.0	1120
1/36.2	892/920	36.1/36.2	917/920	36.1/36.2	917/920
3/7.85	1024/200	40.3/7.85	1024/200	40.3/7.85	1024/200
8.7	2000	80.7	2050	81.9	2080
2.56	65	2.56	65	2.56	65
4.9	2410	97.2	2470	98.8	2510
6°/5°		6°/5°		6°/5°	
8×1.57	1070×122×40	42×4.9×1.77	1070×125×45	42×4.9×2.0	1070×125×50
8/10.8	17/17	10.8/10.8	17/17	10.8/10.8	17/17
3/118	525/600	96/106	490/540	96/106	490/540
8/98	450/500	88/98	450/500	88/98	450/500
20/12		20/12		20/12	
32/20		25/20		25/20	
480	4300	10725	4865	11067	5020
5/1742	5800/790	14495/2225	6575/1010	15210/2360	6900/1070
0/5470	1820/2480	4155/6570	1885/2980	4010/7057	1820/3200
2X/2		2X/2		2X/2	
Cushion tire		Cushion tire		Cushion tire	
21×7-15/16×6-10.5		21×8-15/16×6-10.5		21×8-15/16×6-10.5	
Hydraulic-Foot Pedal					
Mechanical-Hand Lever					
LPG/Dual					
Kubota WG2503					
12/0.72					
Gas 42.8/2600; LPG 43.2/2500					
Gas 163.3/1400; LPG 173.7/1400					
4-88.0×102.4					
2.491					
EPA Carb					
50					
1-1Power Shift T/M					



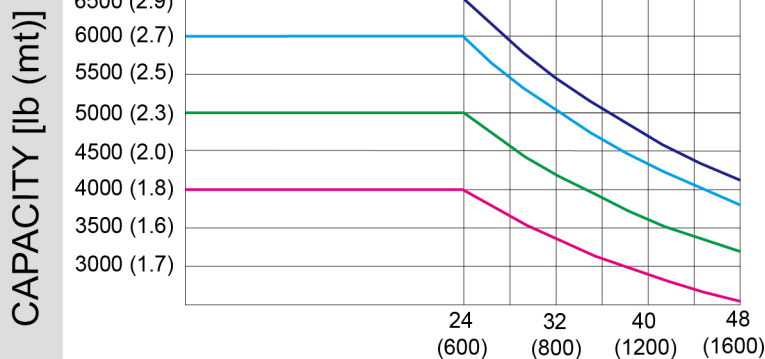
Ast: Right angle stacking aisle width

a: Clearance

L4: Fork Length



Load curve



LOAD CENTER [in (mm)]

CP(Q)YD20C CP(Q)YD25C CP(Q)YD30C CP(Q)YD32C

NOTE: Capacities shown are reference only. They are computed with mast in vertical position based on 48 inch cube load configuration with center of gravity at true center of cube and standard forks. Longer forks and unusually wide loads can reduce capacity. Consult dealer for any questions about capacities.

4000–6500lb WIDE VIEW MAST

Mast model	Max. lifting height	Loading capacity-loading center 24				
		CP(Q)YD20C	CP(Q)YD25C	CP(Q)YD30C	CP(Q)YD32C	CP(Q)YD36C
		lbs/Kg	lbs/Kg	lbs/Kg	lbs/Kg	lbs/Kg
M200	79/2000	4000/1800	5000/2250	6000/2750	6500/2950	5000/2250
M250	98/2500	4000/1800	5000/2250	6000/2750	6500/2950	5000/2250
M270	106/2700	4000/1800	5000/2250	6000/2750	6500/2950	5000/2250
M300	118/3000	4000/1800	5000/2250	6000/2750	6500/2950	5000/2250
M330	130/3300	4000/1800	5000/2250	6000/2750	6500/2950	5000/2250
M350	138/3500	4000/1800	5000/2250	6000/2750	6500/2950	5000/2250
M370	146/3700	4000/1800	5000/2250	6000/2750	6500/2950	5000/2250
M400	157/4000	4000/1800	5000/2250	6000/2750	6500/2950	5000/2250
M425	167/4250	4000/1800	5000/2250	6000/2750	6500/2950	5000/2250
M450	177/4500	4000/1800	5000/2250	6000/2750	6500/2950	5000/2250
M475	187/4750	3850/1750	4850/2200	5950/2700	6390/2900	5000/2250
M500	197/5000	3410/1540	4290/1945	5510/2500	5950/2700	5000/2250
M550	217/5500	3300/1495	4180/1890	5290/2400	5680/2570	5000/2250
M600	236/6000	3085/1400	3260/1480	3750/1700	4360/1980	5000/2250

4000–6500lb WIDE VIEW FULL FREE 2-STAGE MAST

Mast model	Max. lifting height	Loading capacity-loading center 24				
		CP(Q)YD20C	CP(Q)YD25C	CP(Q)YD30C	CP(Q)YD32C	CP(Q)YD36C
		lbs/Kg	lbs/Kg	lbs/Kg	lbs/Kg	lbs/Kg
ZM200	79/2000	4000/1800	5000/2250	6000/2750	6500/2950	5000/2250
ZM250	98/2500	4000/1800	5000/2250	6000/2750	6500/2950	5000/2250
ZM270	106/2700	4000/1800	5000/2250	6000/2750	6500/2950	5000/2250
ZM300	118/3000	4000/1800	5000/2250	6000/2750	6500/2950	5000/2250
ZM330	130/3300	4000/1800	5000/2250	6000/2750	6500/2950	5000/2250
ZM350	138/3500	4000/1800	5000/2250	6000/2750	6500/2950	5000/2250
ZM370	146/3700	4000/1800	5000/2250	6000/2750	6500/2950	5000/2250
ZM400	157/4000	4000/1800	5000/2250	6000/2750	6500/2950	5000/2250
ZM425	167/4250	4000/1800	5000/2250	6000/2750	6500/2950	5000/2250
ZM450	177/4500	4000/1800	5000/2250	6000/2750	6500/2950	5000/2250
ZM475	187/4750	3850/1750	4850/2200	5950/2700	6390/2900	5000/2250
ZM500	197/5000	3410/1540	4290/1945	5510/2500	5950/2700	5000/2250
ZM550	217/5500	3300/1495	4180/1890	5290/2400	5680/2570	5000/2250
ZM600	236/6000	3085/1400	3260/1480	3750/1700	4360/1980	5000/2250

Note: 4000-5000lb free lift height(without backrest)+14.3in;
6000-6500lb free lift height(without backrest)+18.8in;

4000–6500lb WIDE VIEW FULL FREE 3-STAGE MAST

Mast model	Max. lifting height	Loading capacity-loading center 24				
		CP(Q)YD20C	CP(Q)YD25C	CP(Q)YD30C	CP(Q)YD32C	CP(Q)YD36C
		lbs/Kg	lbs/Kg	lbs/Kg	lbs/Kg	lbs/Kg
ZSM360	142/3600	4000/1800	5000/2250	6000/2750	6500/2950	5000/2250
ZSM400	157/4000	4000/1800	5000/2250	6000/2750	6500/2950	5000/2250
ZSM435	171/4350	4000/1800	5000/2250	6000/2750	6500/2950	5000/2250
ZSM450	177/4500	4000/1800	5000/2250	6000/2750	6500/2950	5000/2250
ZSM470	185/4700	4000/1800	5000/2250	6000/2750	6500/2950	5000/2250
ZSM480	189/4800	3950/1780	4740/2150	5840/2650	6280/2850	5000/2250
ZSM500	197/5000	3635/1650	4520/2050	5730/2600	6170/2800	5000/2250
ZSM540	213/5400	3525/1600	4400/2000	5500/2500	5950/2700	5000/2250
ZSM600	236/6000	3350/1500	3500/1580	4000/1820	4630/2100	5000/2250
ZSM650	256/6500	2500/1100	2860/1300	2970/1350	2750/1250	5000/2250
ZSM700	276/7000	1600/720	1780/810	1750/800	1600/720	5000/2250

Note: 4000-5000lb free lift height(without backrest)+14.2in;
6000-6500lb free lift height(without backrest)+19.

4000–6500lb WIDE VIEW FULL FREE 4-STAGE MAST

Mast model	Max. lifting height	Loading capacity-loading center 24				
		CP(Q)YD20C	CP(Q)YD25C	CP(Q)YD30C	CP(Q)YD32C	CP(Q)YD36C
		lbs/Kg	lbs/Kg	lbs/Kg	lbs/Kg	lbs/Kg
ZFM490	193/4900	3740/1700	4630/2100	4980/2250	5300/2400	5000/2250
ZFM560	220/5600	3520/1600	4180/1900	4540/2150	4800/2170	5000/2250
ZFM611	240/6110	2970/1350	3750/1700	3900/1770	3800/1720	5000/2250
ZFM650	256/6500	2310/1050	2750/1250	2700/1220	2550/1150	5000/2250
ZFM702	276/7020	1430/650	1980/900	1800/810	1600/720	5000/2250
ZFM750	295/7500	990/450	1100/500	1200/540	1100/500	5000/2250

Note: 4000-5000lb free lift height(without backrest)+12in;
6000-6500lb free lift height(without backrest)+21.6in;

All models with full free 4-stage mast ,the maximum lifting capacity is 5000lb/2500kg .

Overall Height-fork to the ground		Freelift (With Backrest)		Service Weight								Mast tilt angle (Fwd/Bwd) deg
CP(Q)YD20~25C	CP(Q)YD30~32C	CP(Q)YD20~25C	CP(Q)YD30~32C	CP(Q)YD20C		CP(Q)YD25C		CP(Q)YD30C		CP(Q)YD32C		
in/mm	in/mm	in/mm	in/mm	lbs	kg	lbs	kg	lbs	kg	lbs	kg	
59/1495	65/1640	5.7/145	5.7/145	7511	3410	8524	3870	9846	4470	10187	4625	6/8
59/1745	74/1890	5.7/145	5.7/145	7610	3455	8623	3915	9945	4515	10286	4670	6/8
73/1845	78/1990	5.7/145	5.7/145	7654	3475	8667	3935	9978	4530	10330	4690	6/8
79/1995	84/2140	5.7/145	5.7/145	7709	3500	8722	3960	10022	4550	10374	4710	6/8
84/2145	90/2290	5.7/145	5.7/145	7797	3540	8811	4000	10099	4585	10452	4745	6/8
88/2245	94/2390	5.7/145	5.7/145	7830	3555	8844	4015	10132	4600	10485	4760	6/8
92/2345	98/2490	5.7/145	5.7/145	7874	3575	8888	4035	10176	4620	10529	4780	6/8
100/2545	106/2690	5.7/145	5.7/145	7808	3545	9053	4110	10330	4690	10683	4850	6/5
105/2670	111/2815	5.7/145	5.7/145	8084	3670	9097	4130	10385	4715	10727	4870	6/5
110/2795	116/2940	5.7/145	5.7/145	8150	3700	9163	4160	10441	4740	10782	4895	6/5
115/2920	121/3065	5.7/145	5.7/145	8194	3720	9207	4180	10485	4760	10827	4920	6/5
120/3045	126/3190	5.7/145	5.7/145	8249	3745	9262	4205	10540	4785	10892	4945	3/3
132/3345	137/3490	5.7/145	5.7/145	8447	3835	9460	4295	10738	4875	11090	5035	3/3
142/3595	147/3740	5.7/145	5.7/145	8557	3885	9570	4345	10837	4920	11189	5080	3/3

Overall Height-fork to the ground		Freelift (With Backrest)		Service Weight								Mast tilt angle (Fwd/Bwd) deg
CP(Q)YD20~25C	CP(Q)YD30~32C	CP(Q)YD20~25C	CP(Q)YD30~32C	CP(Q)YD20C		CP(Q)YD25C		CP(Q)YD30C		CP(Q)YD32C		
in/mm	in/mm	in/mm	in/mm	lbs	kg	lbs	kg	lbs	kg	lbs	kg	
59/1495	65/1640	19/484	19/484	7566	3435	8568	3890	9890	4490	10231	4645	6/8
59/1745	74/1890	29/734	29/734	7687	3490	8700	3950	10022	4550	10363	4705	6/8
73/1845	78/1990	33/834	33/834	7687	3490	8711	3955	10022	4550	10385	4715	6/8
79/1995	84/2140	39/984	39/984	7753	3520	8764	3979	10066	4570	10407	4725	6/8
84/2145	90/2290	45/1134	45/1134	7830	3555	8844	4015	10143	4605	10485	4760	6/8
88/2245	94/2390	49/1234	49/1234	7874	3575	8888	4035	10187	4625	10529	4780	6/8
92/2345	98/2490	53/1334	53/1334	7919	3595	9031	4100	10352	4700	10562	4795	6/8
100/2545	106/2690	60/1534	60/1534	8084	3670	9152	4155	10430	4735	10727	4870	6/5
105/2670	111/2815	65/1659	65/1659	8128	3690	9207	4180	10430	4735	10771	4890	6/5
110/2795	116/2940	70/1784	70/1784	8194	3720	9196	4175	10485	4760	10826	4915	6/5
115/2920	121/3065	75/1909	75/1909	8238	3740	9251	4200	10529	4780	10881	4940	6/5
120/3045	126/3190	80/2034	80/2034	8425	3825	9350	4245	10606	4815	10980	4985	3/3
132/3345	137/3490	92/2334	92/2334	8557	3885	9504	4315	10771	4890	11068	5025	3/3
142/3595	147/3740	102/2584	102/2584	8612	3910	9615	4365	10881	4940	11222	5095	3/3

Overall Height-fork to the ground		Freelift (With Backrest)		Service Weight								Mast tilt angle (Fwd/Bwd) deg
CP(Q)YD20~25C	CP(Q)YD30~32C	CP(Q)YD20~25C	CP(Q)YD30~32C	CP(Q)YD20C		CP(Q)YD25C		CP(Q)YD30C		CP(Q)YD32C		
in/mm	in/mm	in/mm	in/mm	lbs	kg	lbs	kg	lbs	kg	lbs	kg	
70/1780	74/1880	30/759	25/622	8216	3730	9229	4190	10485	4760	10826	4915	6/5
75/1905	79/2015	35/884	30/757	8315	3775	9328	4235	10584	4805	10925	4960	6/5
80/2030	84/2130	40/1008	34/871	8392	3810	9405	4270	10650	4835	10991	4990	6/5
83/2095	86/2180	42/1074	36/922	8425	3825	9438	4285	10672	4845	11013	5000	6/5
84/2145	88/2230	44/1123	38/73	8458	3840	9471	4300	10716	4865	11057	5020	6/5
86/2180	90/2280	46/1158	40/1024	8480	3850	9493	4310	10749	4880	11090	5035	6/5
90/2280	92/2340	50/1260	43/1082	8546	3880	9559	4340	10793	4900	11134	5055	6/5
95/2405	98/2490	55/1384	49/1232	8623	3915	9637	4375	10881	4940	11222	5095	3/5
104/2630	107/2705	63/1608	57/1448	8844	4015	9857	4475	11101	5040	11443	5195	3/5
111/2820	114/2890	71/1798	64/1633	8965	4070	9978	4530	11211	5090	11553	5245	3/3
122/3090	124/3140	81/2068	74/1882	9119	4140	10132	4600	11366	5160	11707	5315	3/3

Overall Height-fork to the ground		Freelift (With Backrest)		Service Weight								Mast tilt angle (Fwd/Bwd) deg
CP(Q)YD20~25C	CP(Q)YD30~32C	CP(Q)YD20~25C	CP(Q)YD30~32C	CP(Q)YD20C		CP(Q)YD25C		CP(Q)YD30C		CP(Q)YD32C		
in/mm	in/mm	in/mm	in/mm	lbs	kg	lbs	kg	lbs	kg	lbs	kg	
73/1845	73/1845	35/895	26/650	8546	3880	9559	4340	10661	4840	11002	4995	6/5
80/2030	80/2030	43/1080	33/835	8689	3945	9703	4405	10815	4910	11145	5060	6/5
84/2145	84/2145	47/1195	37/950	8778	3985	9791	4445	10903	4950	11231	5100	3/5
88/2245	88/2245	51/1295	41/1050	8855	4020	9868	4480	10969	4980	11322	5140	3/5
95/2401	95/2401	57/1451	47/1206	8976	4075	9989	4535	11101	5040	11454	5200	3/3
100/2550	100/2550	63/1600	53/1355	9075	4120	10088	4580	11189	5080	11542	5240	3/3

Reliable special designed instrument

Neutral indicator

Seat belt alarm

Left turn indicator

Fuel level gauge

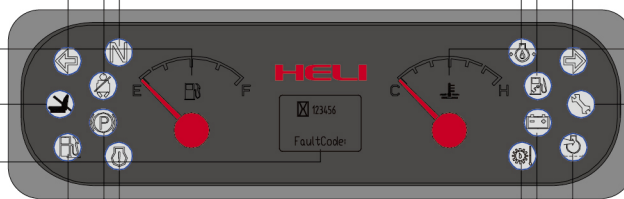
Seat switch

Hour meter

Low fuel level alarm indicator

Hand brake indicator

Engine fault indicator



(Items with * are optional)

Low pressure alarm indicator

LPG low fuel indicator

Right turn indicator

Water temperature meter

Maintenance alarm

Clogged air filter indicator

No charging alarm indicator

* Torque converter oil temperature alarm indicator

Heli's display is conveniently placed on the dash so operator can monitor truck's working condition, fault codes and other vital information

Standard configuration

Horn	Front combo lights	Speed-limiting valve
Three-spool control valve	Transmission oil filter	Lifting and tilting operation lever
3-stage full free lift mast	Rear combo lights	Tow pin
Power steering	Back-up alarm	Overhead guard
Semi-suspension seat	Overhead guard rain cover	Combined display
Load backrest	Standard forks	LPG Low Fuel Indicator
Rear view mirror	Integrated electric box	

Optional

Max. speed control system	Lifting OPS control system	LED headlights
LED Rotating Light	Torque converter oil temperature meter	No hand brake alarm
Dual Air Filter	Optional attachments	Rear grab handle with horn button
Hydraulic Fork Positioner	Rotating seat for LPG	
Rear work light	Swing Out/Drop-Down LPG Bracket	



ANHUI HELI CO., LTD.

DISTRIBUTOR: ANHUI HELI INDUSTRIAL VEHICLEIMP.& EXP. CO.,LTD.

ADD: NO 668 Fangxing Street,Hefei 230601, China

TEI: (86 551)63639068,63639566

FAX: (86 551)63639966

WEBSITE: www.helichina.net